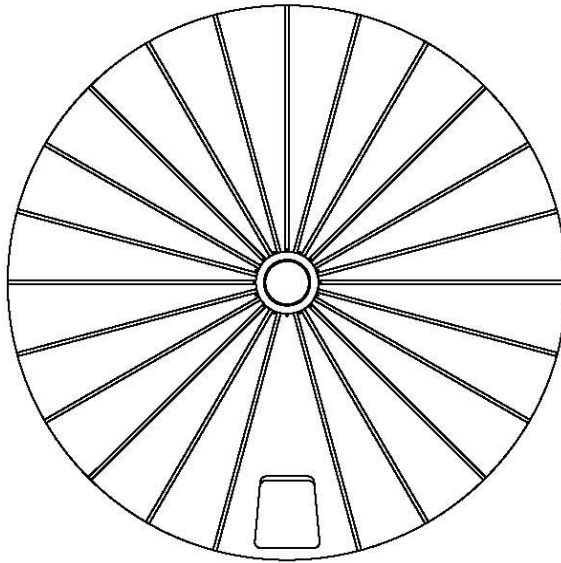
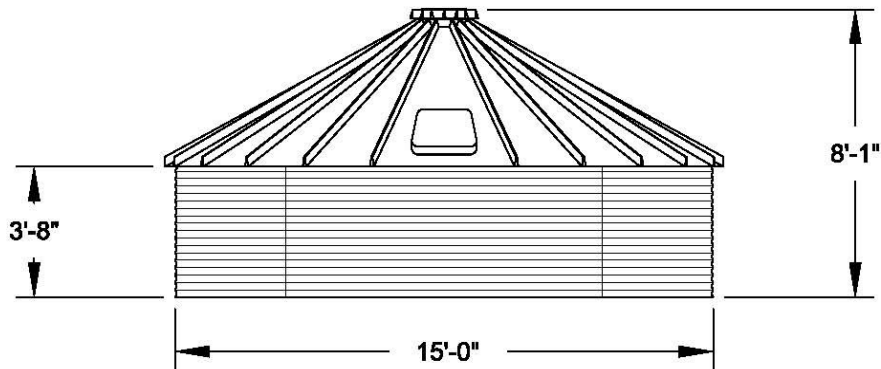


Corrugations on roof panels are not shown for clarity.



PLAN



ELEVATION

 NATIONAL STORAGE TANK, INC  
 (707) 537-7433  
 (888) 672-6995  
 WWW.NATIONALSTORAGETANK.COM

	BY	DATE
DWN	IU	7/16/09
CKD	JH	7/16/09
ENG	JH	7/16/09

TITLE MODEL 1501-WT-CHR  
 CORGAL STEEL WATER STORAGE TANK  
 NOMINAL CAPACITY - 4,800 GALLONS (US)

DWG. NO. 1501-WT-CHR REV. NO. A

THE DRAWINGS DEPICTED ON THIS PRINT AND INFORMATION CONTAINED HEREIN ARE PROPRIETARY TO WATER STORAGE TANKS, INC. AND SHALL NOT BE USED IN WHOLE OR PART WITHOUT WRITTEN CONSENT OF WATER STORAGE TANKS, INC. AND OR NATIONAL STORAGE TANK, INC. © 2010

SIZE A SCALE 3/16"=1'-0" SHEET 1 OF 1