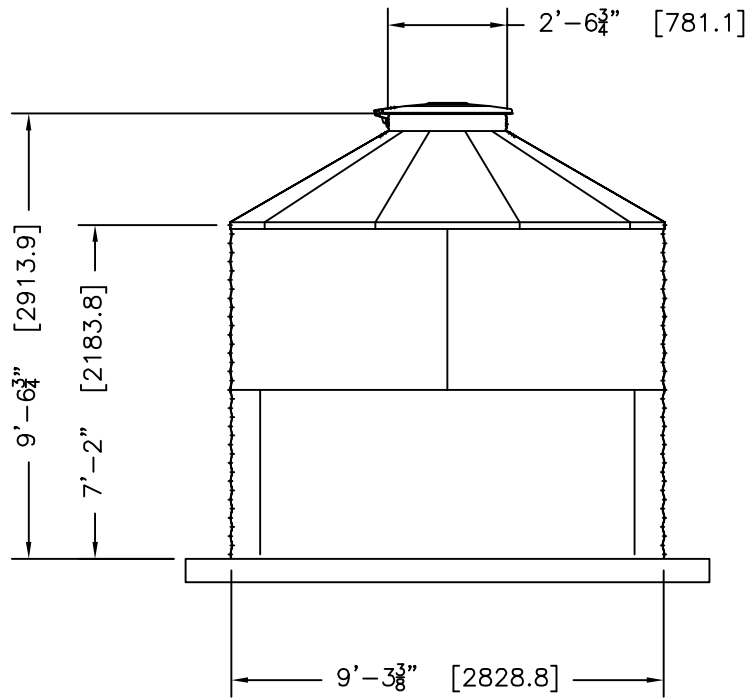


PLAN



ELEVATION

<b>STEEL CORE TANK, LLC.</b> <a href="http://WWW.STEELCORETANK.COM">WWW.STEELCORETANK.COM</a> (844) 225-0881		BY	DATE	TITLE	STEELCORE WATER TANK SCT-902-FP
	DWN	XXX	XX/XX/XX		WTU03-02 30"PR 30DEG FLAT PANEL
	CKD				NOMINAL CAPACITY - 3,416 GALLONS (US)
	ENG			DWG. NO.	SCT902-FP WTU03-02
<small>THIS DRAWINGS DEPICTED ON THIS PRINT AND INFORMATION CONTAINED HEREIN ARE PROPRIETARY TO STEEL CORE TANK, LLC. AND SHALL NOT BE USED IN WHOLE OR PART WITHOUT WRITTEN CONSENT OF STEEL CORE TANK, LLC. 2015</small>				SCALE:	1/4"=1'-0"
		SIZE:	A	SHEET	OF
				1	1
				REV. NO.	